

# eNBSP SDK

Linux edition V1.0

010011010100011100100011100100011100100011

01001101010001110010100010001110

10101000111001010001000111001001001101010001110010100010001110

## ■ eNBSP SDK Linux edition V1.0

eNBSP SDK Linux edition is a low-level SDK (Software Developer's Kit) that allows you to create various applications using the fingerprint identification technology developed by NITGEN within the Linux environment.

Since it has the same API Interface as the Windows versions, the users don't have to be trained over again. It comes with an Index Search Engine to allow fast searching function even in a large fingerprint database. In addition, since it has an outstanding built-in fingerprint recognition algorithm, it can provide users with the optimal environment to develop fingerprint identification related solutions, while guaranteeing high-speed fingerprint searching speed and recognition rates.

## Features

- Provides optimal API for fingerprint identification software development.
- Fast 1:N Matching function
  - Indexing search: a basic built-in function
- Capable of registering up to 10 fingerprints per person
- Adopted the world's best level algorithm
  - 2003 IBG Test : Error rate(FRR/FAR) 0%
- Conveniently applicable to the Client / Server environment as well as the Web environment.
- Safe management of fingerprint information using 128bit encrypted algorithm.

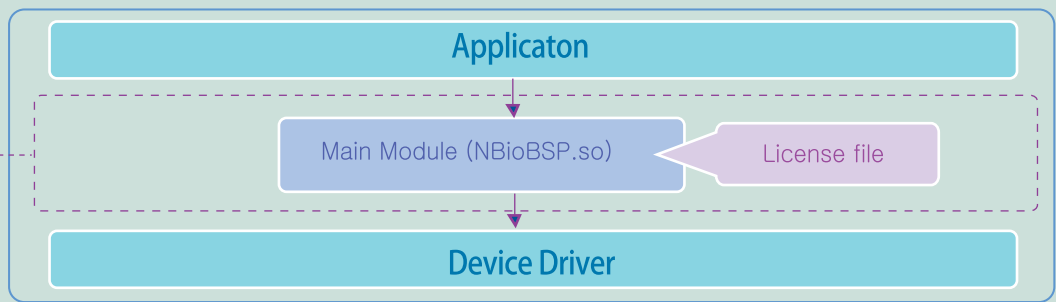
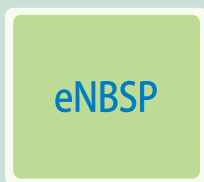
## Functions

- Device control function
- Fingerprint data capture
- Minutia extraction
- Fingerprint registration
- Fingerprint authentication (1:1, 1:N)
- Converts fingerprints into image files

## Development Environment

ITEM	DESCRIPTION
CPU	Intel Pentium or later
Kernel	Linux Kernel 2.6 or later Red Hat 9.0 or later (advise kernel update)
USB	USB 1.1 OHCI / UHCI
Device	NITGEN Fingkey Hamster / Fingkey Mouse (only USB Type)
DevTool	QT 3.1.1 (for Demo)
Compiler	GCC 3.x

### Structure



## 1:N Matching Engine

ITEM	Index Search	Remark
Search time	A irregular speed, About 0.85 second	5000 users
System	Pentium or later	
User	Less than 5,000 user	1Template / 1user
Applications	Medium/Small size, Customer management	
License	Not for use with Windows edition license	

## License Policy

eNBSP SDK Linux edition V1.0 consists of a BSP module and speedy 1:N searching module(IndexSearch) for the development of general fingerprint applied software, and follows a different licensing policy from that of the Windows edition

ITEM	DESCRIPTION
License Management	Input serial number when installing BSP
License Policy	Allow the License number in purchasing SDK
Windows Edition License	Impossible to duplicate usage