

# Intel® NUC Kit NUC6CAYS User Guide

---

*Regulatory Model NUC6CAY*

## Before You Begin



### CAUTIONS

*The procedures in this user guide assume familiarity with the general terminology associated with personal computers and with the safety practices and regulatory compliance required for using and modifying electronic equipment.*

*Disconnect the computer from its power source and from any telecommunications link or network before performing any of the procedures described in this guide. Failure to disconnect power, telecommunications links, or networks before you open the computer or perform any procedures can result in personal injury or equipment damage. Some circuitry on the board can continue to operate even though the front panel power button is off.*

Follow these guidelines before you begin:

- Always follow the steps in each procedure in the correct order.
- Set up a log to record information about your computer, such as model, serial numbers, installed options, and configuration information.
- Electrostatic discharge (ESD) can damage components. Perform the procedures described in this chapter only at an ESD workstation using an antistatic wrist strap and a conductive foam pad. If such a station is not available, you can provide some ESD protection by wearing an antistatic wrist strap and attaching it to a metal part of the computer chassis.

## Installation Precautions

When you install and test the Intel NUC, observe all warnings and cautions in the installation instructions.

To avoid injury, be careful of:

- Sharp pins on connectors
- Sharp pins on circuit boards
- Rough edges and sharp corners on the chassis
- Hot components (such as SSDs, processors, voltage regulators, and heat sinks)
- Damage to wires that could cause a short circuit

Observe all warnings and cautions that instruct you to refer computer servicing to qualified technical personnel.

## Observe Safety and Regulatory Requirements

If you do not follow these instructions, you increase your safety risk and the possibility of noncompliance with regional laws and regulations.

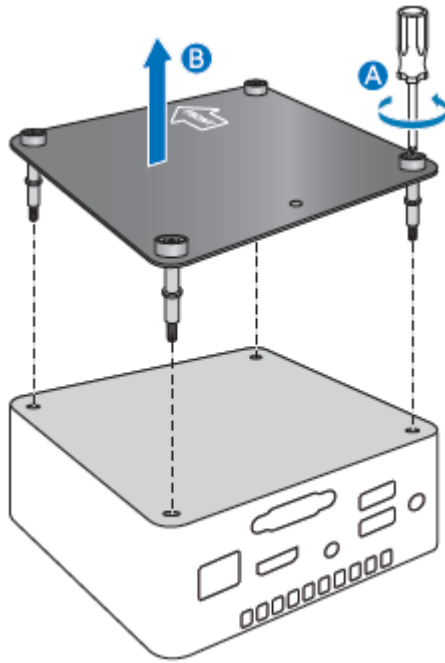
## This guide tells you how to:

- Install a 2.5" drive
- Install a VESA mount bracket
- Connect power
- Install the latest drivers

## Open the Intel NUC Chassis

To open the Intel NUC chassis, follow these steps:

1. Unscrew the four corner screws on the bottom cover of the chassis and lift the cover.

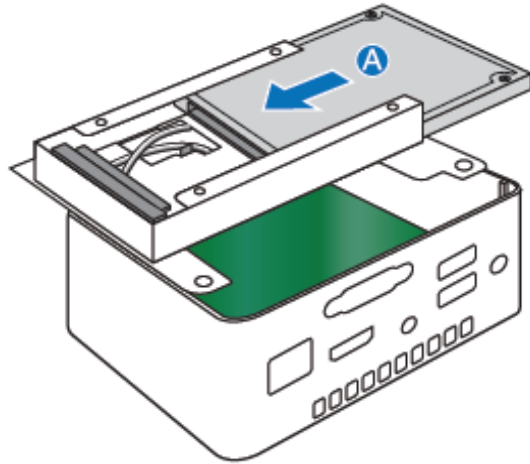


## Install a 2.5" SSD or Hard Drive

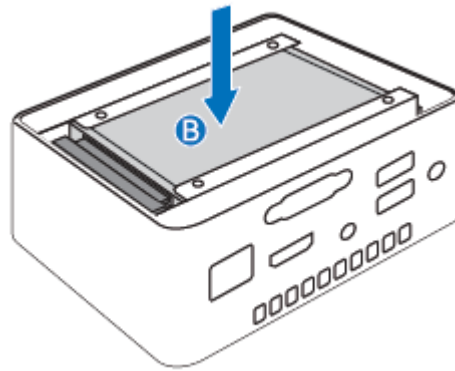
For a list of tested 2.5" hard drives, go to the [Tested Peripherals](#) page on the Support site.

Follow these instructions to install a 2.5" Solid State Drive (SSD) or Hard Disk Drive (HDD):

1. Observe the precautions in "Before You Begin" on page 2.
2. Slide the 2.5" drive into the drive bay, ensuring the SATA connectors are fully seated into the connectors of the SATA daughter card (A).

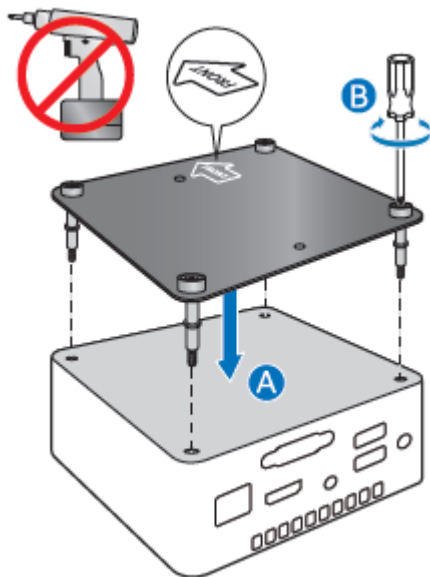


3. Secure the drive into the drive bay with the two small silver screws that were included in the box.
4. Set the drive bay bracket down inside the chassis (B).



## Close the Chassis

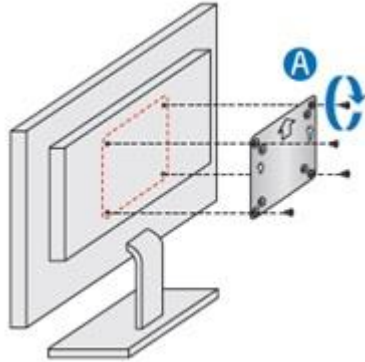
After all components have been installed, close the Intel NUC chassis. Intel recommends this be done by hand with a screwdriver to avoid over-tightening and possibly damaging the screws.



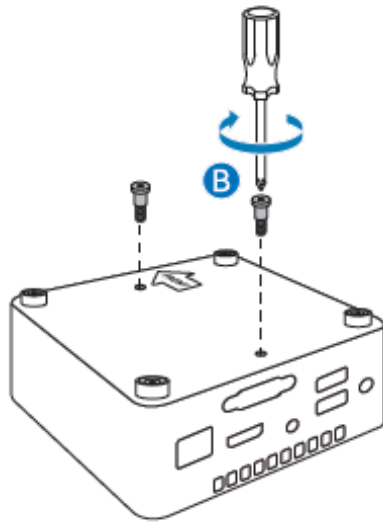
## Attach and Use the VESA Bracket (Optional)

Follow these instructions to attach and use the VESA mount bracket:

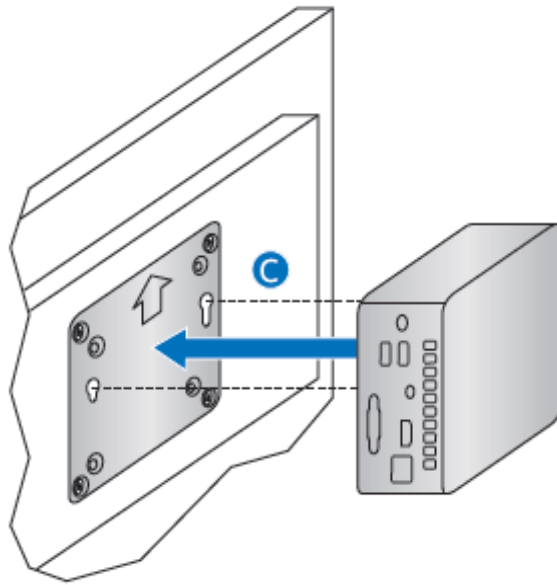
1. Attach the VESA bracket to the back of the monitor or TV, using the four small black screws that were included in the box.



2. Attach the two slightly larger black screws to the bottom chassis cover of the Intel NUC.



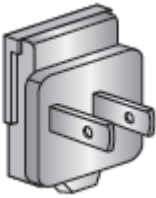
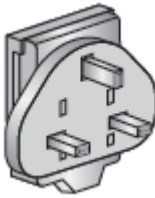
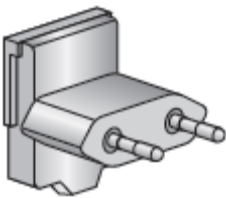
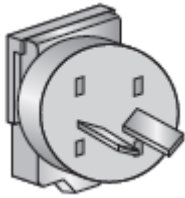
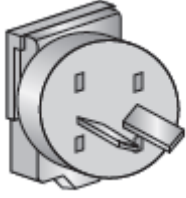
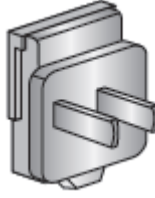
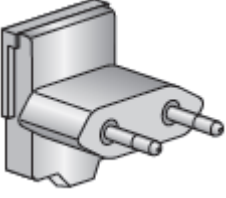
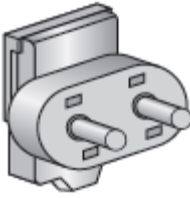
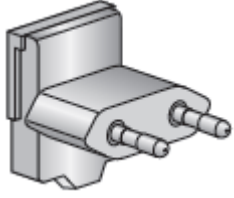
- Slide the Intel NUC onto the VESA mount bracket.



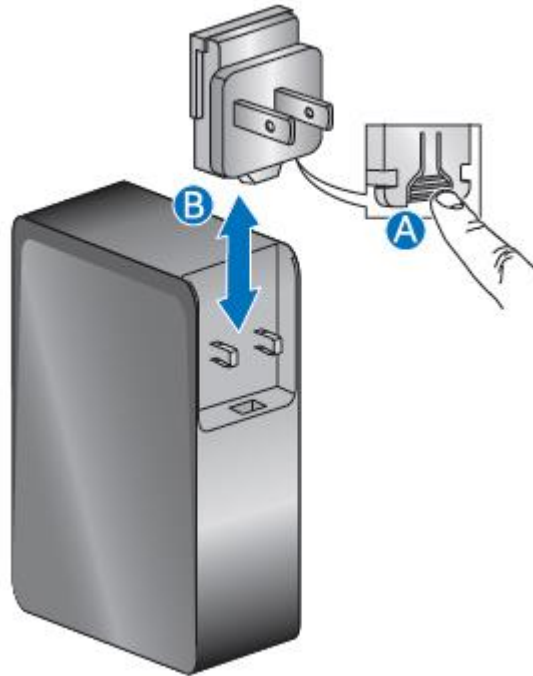
## Connect Power

Country-specific power plug attachments are included in the Intel NUC Kit box.

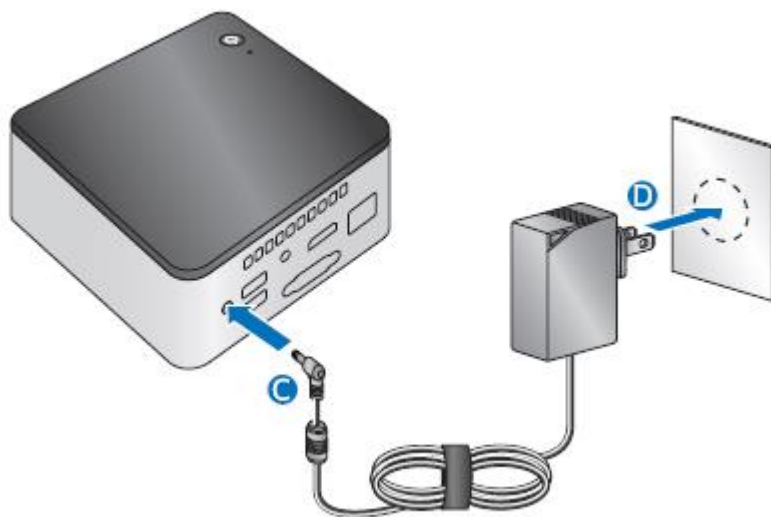
- Choose the attachment for your region.

SKU (Product codes)	Attachments in the box				
NUC6CAYSAJ NUC6CAYSAJR					
	US – United States	UK – United Kingdom	EU – European Union	AUS - Australia	
NUC6CAYSAJL					
	ARG - Argentina	CHN - China	BRA - Brazil	IND - India	KOR – South Korea

- Slide the attachment (B) onto the power plug, locking it into place (A).



- Connect AC power.



## Install Intel NUC Drivers

To download the latest Microsoft\* Windows\* drivers and BIOS updates, go to [Download Center](#):

Drivers are available for the following features:

- Audio
- Bluetooth
- Card Reader
- Chipset
- Consumer Infrared
- Graphics
- Intel® TXE
- Intel® Ready Mode Technology
- LAN (wired and wireless)